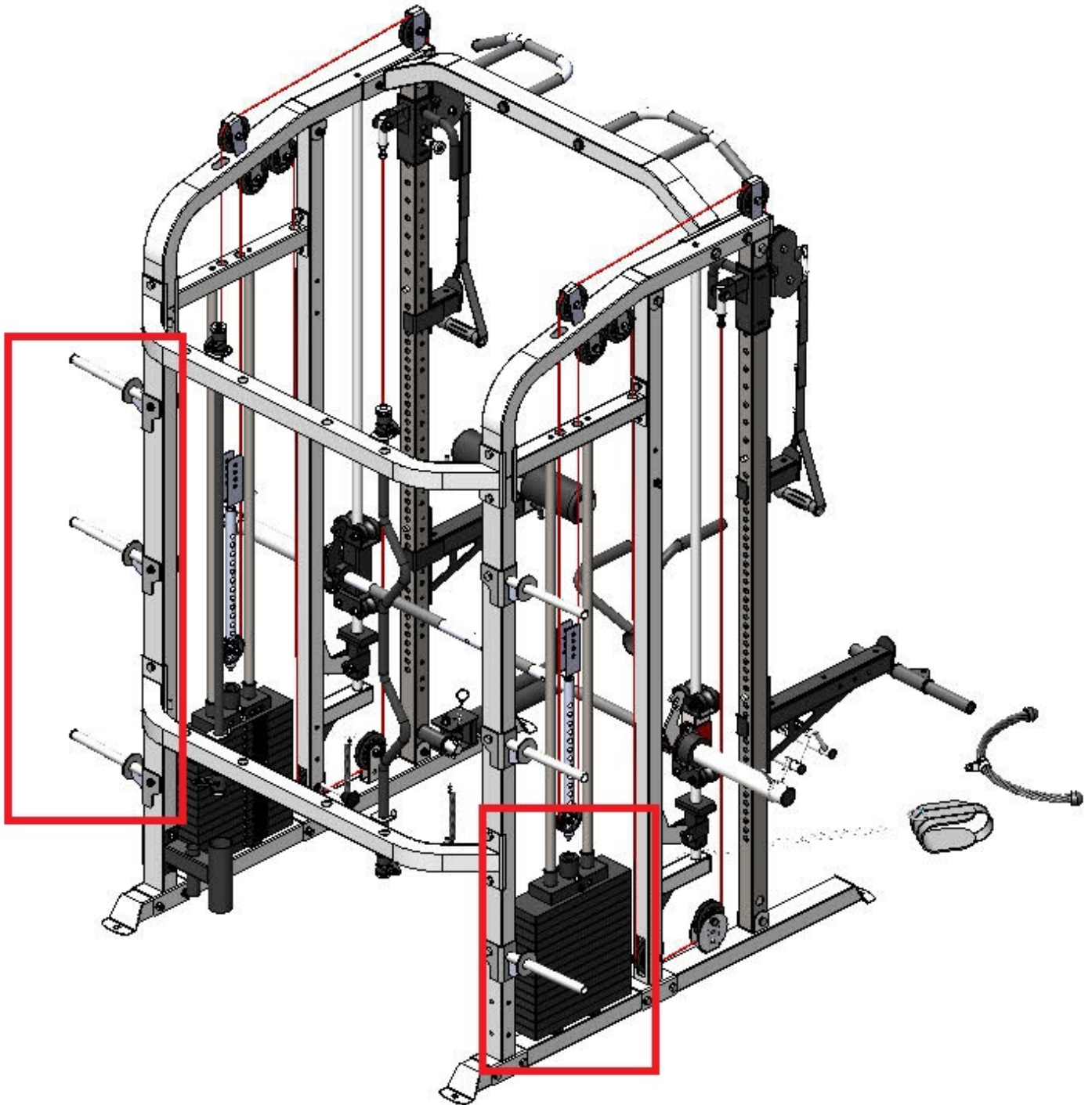




2 X 90KG WEIGHT STACK CONVERSATION KIT FOR VIGOR

SKU: VS-G8-WS





PRODUCT
DESCRIPTION

ADDITIONAL
INFORMATION

