



OPTIMA MULTI-FUNCTION FOLDABLE BENCH PRESS

SKU: BK-3011





OPTIMA MULTI-FUNCTION FOLDABLE BENCH PRESS







ADJUSTABLE INCLINE ANGLE





ARM CURL + LEG CURL / EXTENSION





**SPACE SAVING
FOLDS AND UNFOLDS EASILY**





1

**WIDE SPACE OF 115CM
IN THE MIDDLE SUITABLE
FOR MOST WORKOUT**



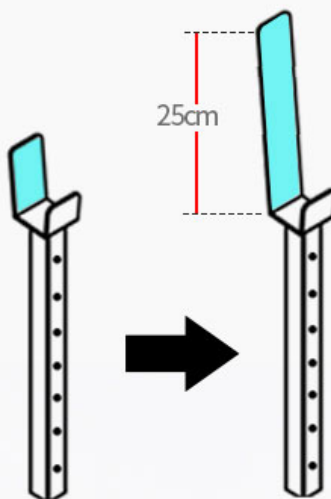


2

25CM LONG BACKING FOR BARBELL HOLDER EASIER TO RACK BACK BARELL



거치대 후면이
새롭게 업그레이드





3

**HEIGHT ADJUSTABLE
BARBELL HOLDER
CATER TO VARIOUS WORKOUT**



4

**BARBELL HOLDER REVERSIBLE
TO PERFORM EXERCISE AT
THE BACK OF THE BENCH:
SQUATS / STANDING SHOULDER**



SEATED SHOULDER PRESS



BARBELL SQUATS

5

**150KG MAX LOAD FOR
FRONT WEIGHT PLATE
ATTACHMENT**





6

REMOVABLE ARM CURL ATTACHMENT

DOES NOT BLOCK LEG MOVEMENT WHILE PERFORMING LEG CURL / EXTENSION





7

**4 ADJUSTABLE POSITIONS
1 DECLINE / 1 FLAT / 2 INCLINE**



8

**SUITABLE FOR NORMAL OR
OLYMPIC WEIGHT PLATES**



PLATES AND BARBELL STORAGE



9

**EASY TO FOLD AND UNFOLD
REMOVE LOCK PIN AND FLIP UP**





플랫 벤치 프레스



인클라인 벤치 프레스





디클라인 벤치 프레스



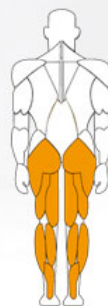
암컬





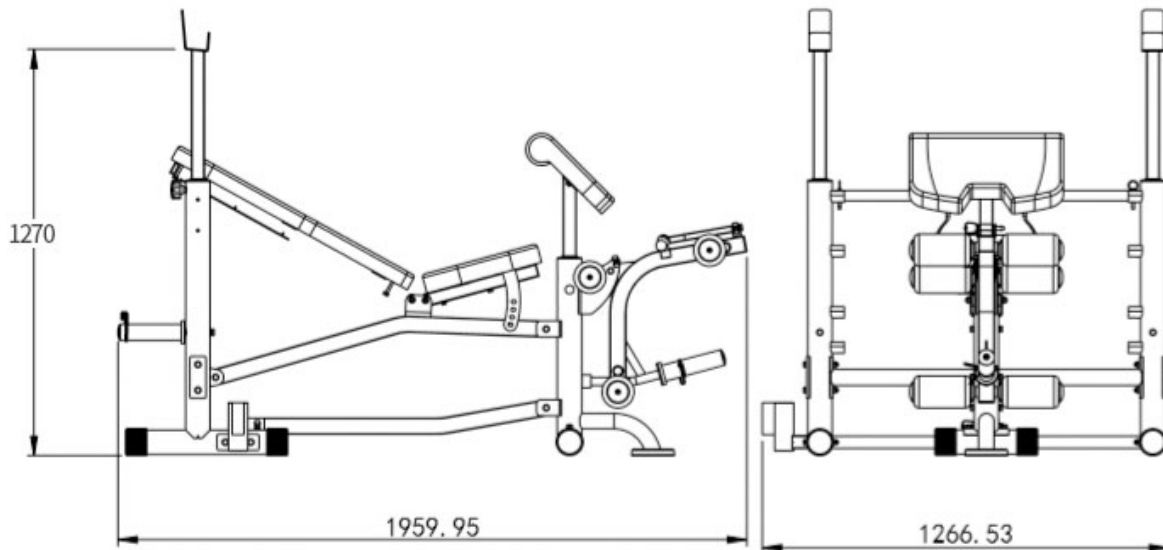


#스쿼트



#숄더 벤치프레스





ADDITIONAL
INFORMATION

More Information

Warranty	1 Year
Product Weight	73kg
Max Load	150kg
Product Dimension	196 x 127 x 92-127cm (L x W x H)