



BODYX FOLDING CUBE SMITH MACHINE HYBRID MODEL

SKU: BK-3107







PRODUCT
DESCRIPTION

This is a world first for Folding Home Gym Smith Machine with Pulley System. In a time where space is not always a luxury for everyone.

- Combination of the popular [BK3058](#) and [Folding Cube](#)
 - Folds away easily after usage
 - Takes little workout area
-



BODYX CUBE HYBRID

The Smith Machines ideal for improving building



The Folding Smith Machine, All-In-One Functional Trainer.

- The CUBE Hybrid Folding Home Gym Smith Machine can transform from a depth of 120cm to as little as 61cm
- Accessories: Handles for Cable Crossovers, Lat Pull Down Bar, Short bar, Dip handles, Landmine
- Works well with the [DHT Ultraslim Folding Bench](#) in which the bench can be folded and stored within the machine together.

muscle with a lower risk of injury. Fitted with safe lock and release mechanisms and a safety catch allowing you to max out your training without the need for a spotter.

Key features:

- Steel aircraft cables, rated to 2,000 lbs
- 2 x 90kg weight stack
- Off-the-floor base

This is a world first for Folding Home Gym Smith Machine. All-In-One Functional Trainer upgrade to the fitness Solution.



The smith machine



The pulleys and stacks



The half rack

The CUBE Hybrid utilizes high quality 25mm self-aligning linear bearings to achieve the smooth, secure movements a smith machine needs. Load weights easily with at the side of the bar. Hook back anytime for safety. Secondary safety catch in place to prevent the bar from dropping beyond the pre-selected height.

Dual, heavy duty swivel pulleys on the front rack form an essential component of this machine. 2 x 90kg precision cut steel weight stacks allow the user to increase strength over time with 20 weight increments. These easy to access, pin select weight stacks add ease for quick-changing supersets, multiple users and much more. 1:1 ratio.

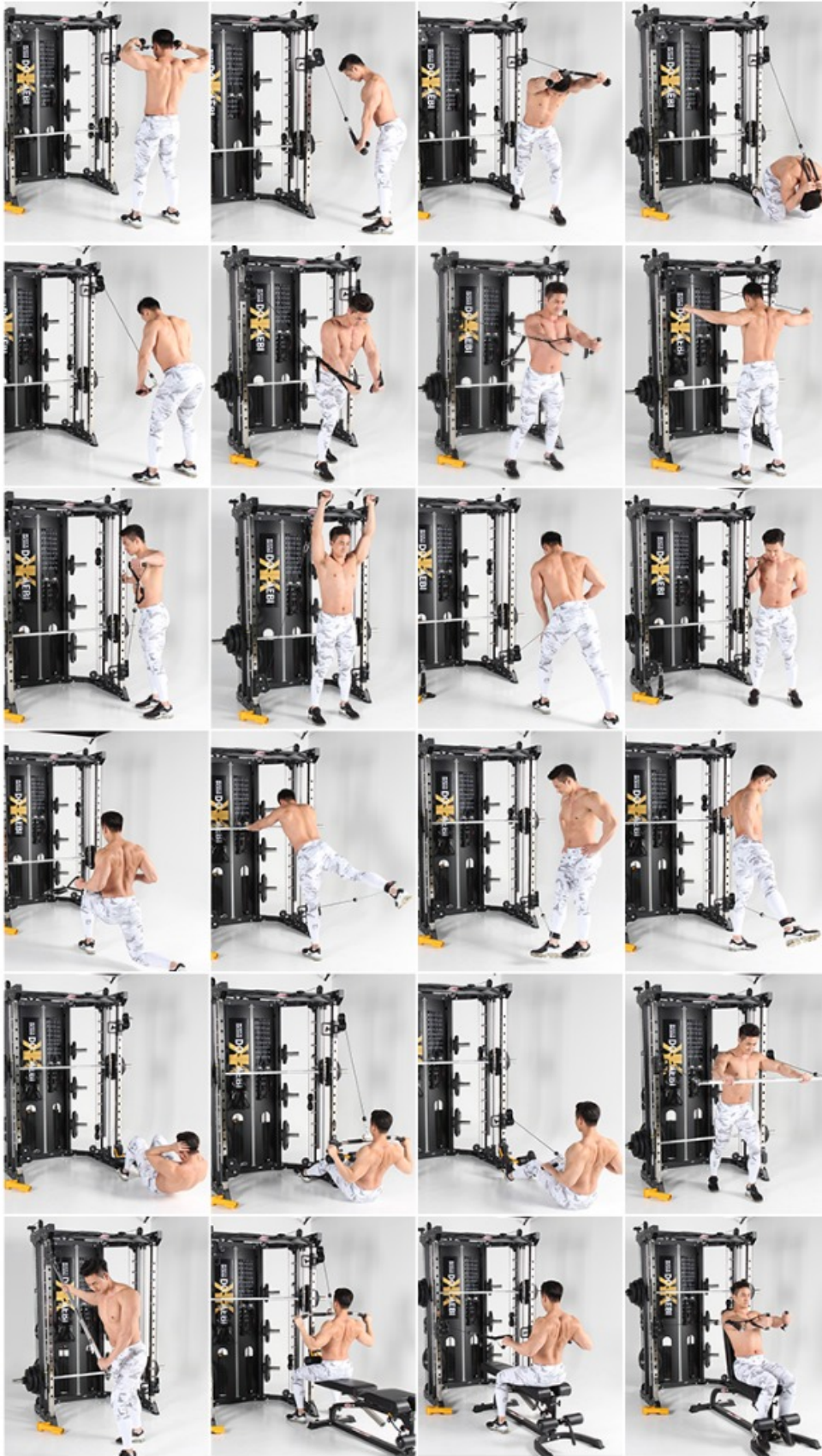
Comes with a pair of J hooks and Safeties to use the machine with free weight barbell. Allows for additional attachments to add varieties to workout, like Dip handles (included), Jammer arms (optional), Leg extension/curl (optional).



Workout examples



더 많은 운동방법은 매뉴얼을 참조하세요



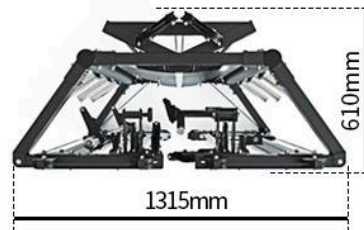
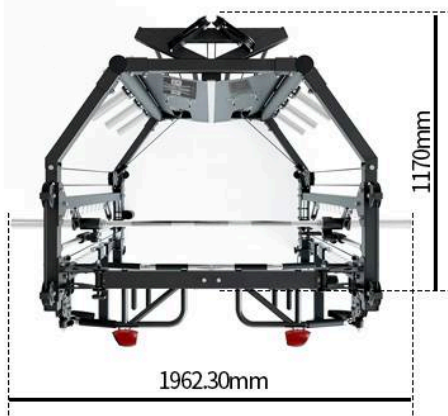
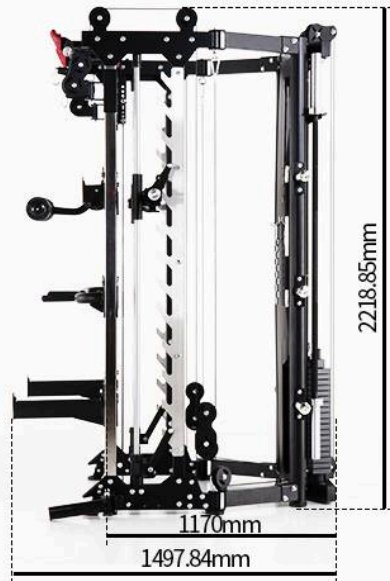
더 많은 운동방법은 매뉴얼을 참조하세요



Included Accessories



Dimensions





ADDITIONAL
INFORMATION

More Information

Product Weight	449kg
Product Dimension	120 x 196 x 222cm (L x W x H), Folded: 61 x 132 x 222cm (L x W x H)
Warranty	Mainframe: Lifetime, Other parts: 1 Year