



BODYX CLOUD ELLIPTICAL EM-3520

SKU: EM-3520





PRODUCT
DESCRIPTION

Adjustable stride length

3 adjustment lengths at 18", 20" and 23" to suit different users. Easy to adjust by varying the length of the support.



23inch / 584mm



20inch / 508mm



18inch / 457mm

LED console with tablet holder

Output speed, time, distance, calories, watt and pulse reading. Adjustment of resistance using centre knob with 32 levels.




SPEED/속도


TIME/시간


DISTANCE/거리


CALORIES/칼로리

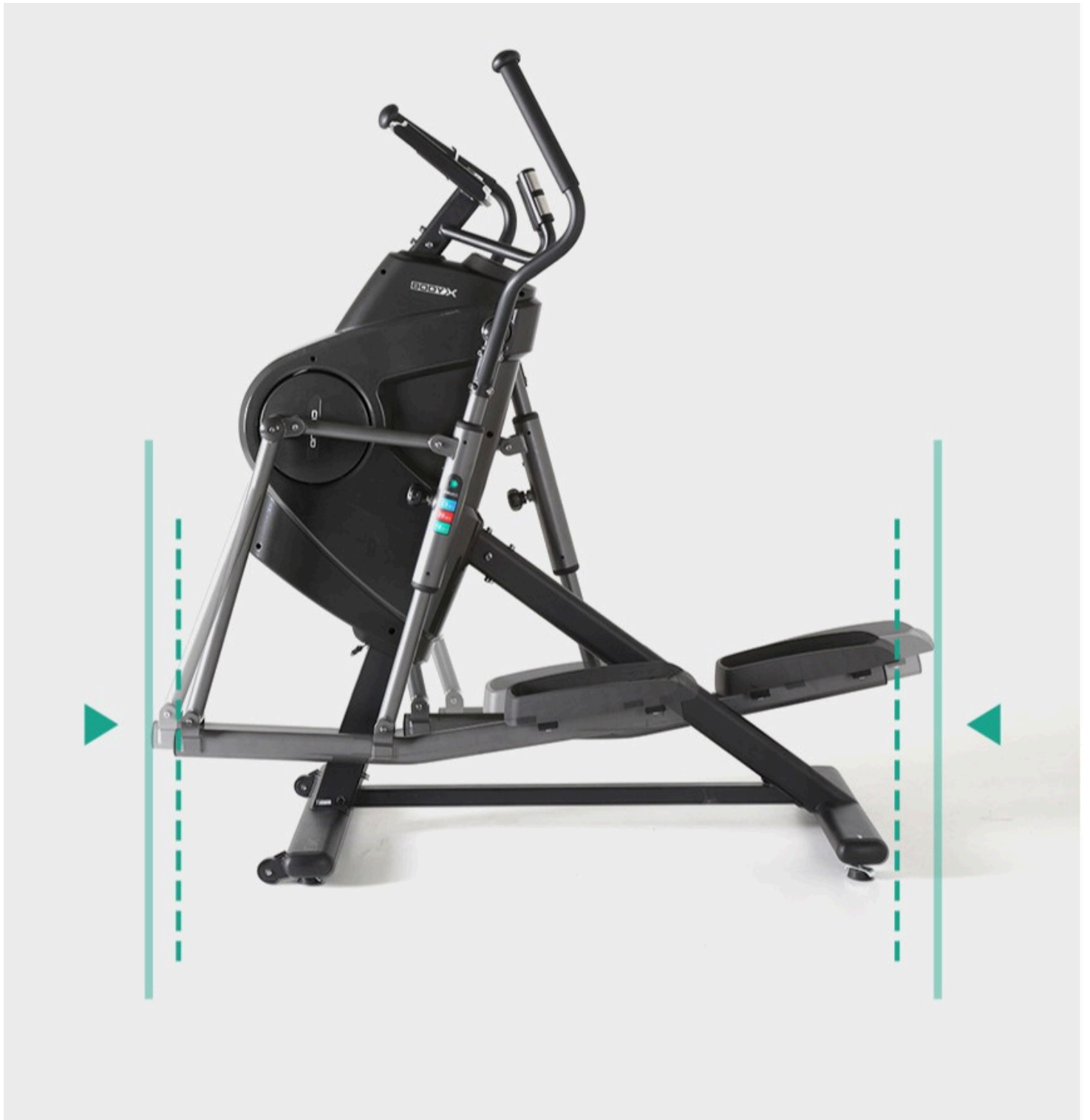

WATT / LEVEL


PULSE/심박수



Small footprint with long stride

When not in use, machine only take up 124.8cm of space. With the longest stride length of 23" usage, the maximum space required is 167.5cm.

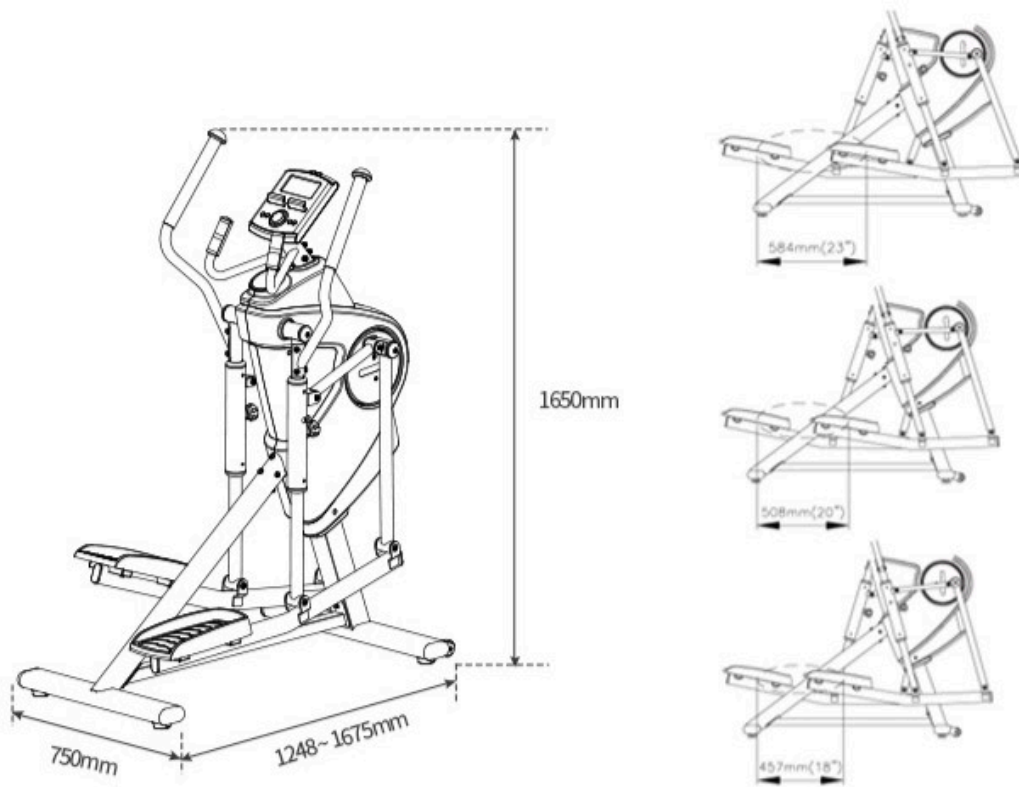






 nbsp;

Dimension



ADDITIONAL
INFORMATION

More Information

Incline	NA
Product Weight	65kg
Program	12 program levels
Product Dimension	124.8 - 167.5 x 75 x 165cm (L x W x H)
Other Features	Tablet holder
Max Load	90kg
Level Of Resistance	32 magnetic controlled resistance
Flywheel Weight	12kg
Crank Arm / Stride Length	Adjustable 18" , 20" , 23"
Warranty	1 Year
Packaging	108 x 38 x 78cm