



# OVICX (XQIAO) SMARTRUN TREADMILL

SKU: SMARTRUN



Dilraba (迪丽热巴)





PRODUCT  
DESCRIPTION



### OVICX Treadmill

By taking advantage of the unique experience in the OVICX Treadmills, people without sufficient time to exercise in daily life prefer to running as much as users who love sports.

Meanwhile, it builds the sports community by making use of the Internet Interaction, which enables people to share the sports achievement with others.

- The foldable treadmill is specially designed for the home environment. Your home is the gym.
- With an area of 0.5<sup>2</sup>, a weight of 39.5kg and a console-free design.

# OVICX

#### Product Parameters

Motor Power: 0.75

Product Size: 149 x 70 x 118 cm (L x W x H)

Folded Size: 149 x 70 x 21cm (L x W x H)

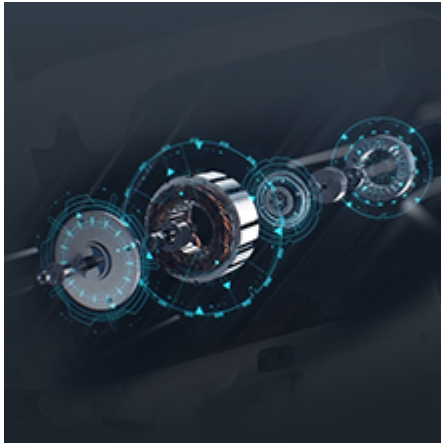
Running Belt: 42 x 120cm

Product Weight: 39.5kg

Max Speed: 12km/h

Max Weight Capacity: 100kg





**Fuji Motor**

For the heart of the treadmill, the SmartRun uses Japan imported Fuji Motor for reliable and quiet workout experience.



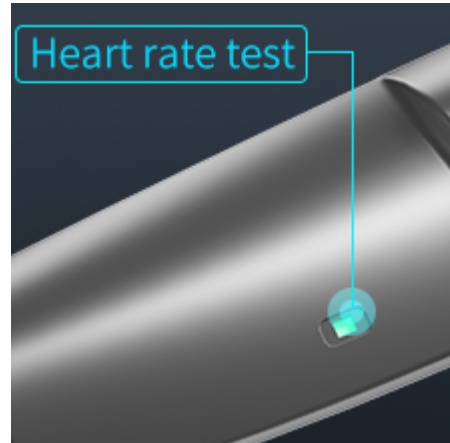
**Multi Function Display**

It is equipped with touchscreen LED display that shows time, distance, speed, calories consumption and heart rate and has six different built-in programs.



**Silkworm technology**

Silkworm technology greatly reduces the running noise and ensures that your neighbours are not disturbed during your workout.



**Photodiode Sensors**

Similar to technology used in heart rate watch, the sensors provide fast and accurate heart rate readings to keep you in the target zone.



# FOLDED BY ONE STEP

open and fold, completed within 3s.



Fold it with one step.



# EASY TO STORE

Folded vertically at 90°, it can be attached to the wall and save space.



Vertical folding



Area <math>< 5.4\text{ft}^2</math>



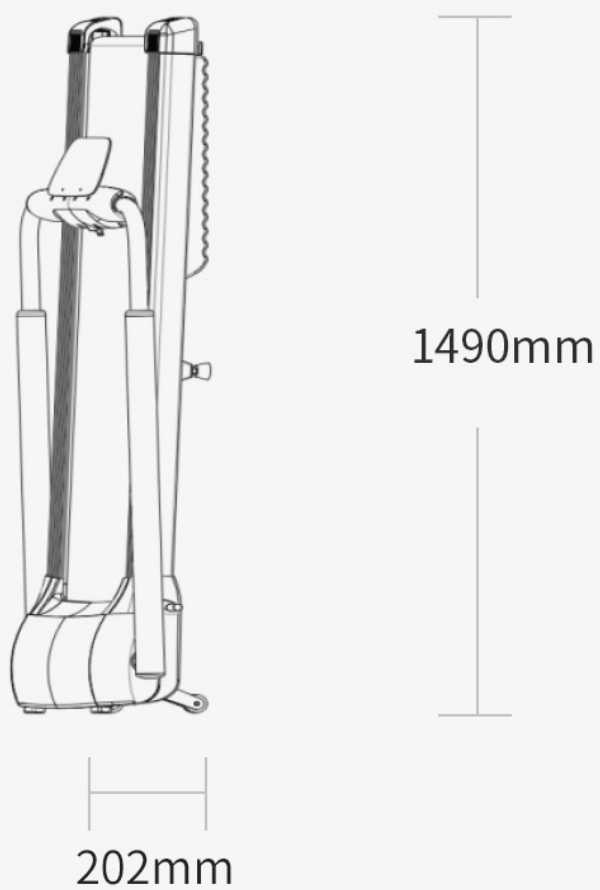
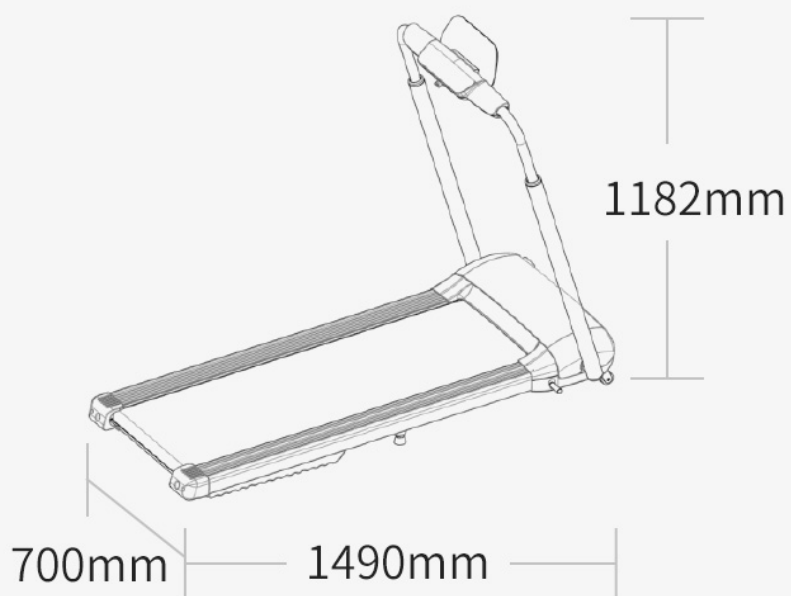






## PRODUCT DIMENSIONS

---



# Why Buy from Us?

## 1. On-site Warranty

Enjoy a fuss free purchase as we will come to your house to diagnose and repair if there is any issue during warranty period.

## 2. Local Set

Local set with English instruction manual and controls. Connect easily to any socket using local 3 pin plug.

## 3. Local Company

Besides honoring the warranty, we are also able to provide services after the warranty has ended.

## 4. Showroom Trial Available

Test first before buying to make sure that it will suits your requirements.

## 5. Good Reviews

With our good after-sales services, we have many good reviews provided by customers.

### ADDITIONAL INFORMATION

#### More Information

<b>Warranty</b>	Main motor: 1 years, Other parts: 1 year, On-site labour: 1 year
<b>Speed</b>	0.8-12 km/h Quick Speed Controls
<b>Product Dimension</b>	149 x 70 x 118 cm (L x W x H)
<b>Max Load</b>	100kg
<b>Product Weight</b>	39.5kg
<b>More Information</b>	App Linkage, Phone Holder
<b>Motor Power</b>	0.75 HP DC Motor
<b>Incline</b>	No incline
<b>Running Area</b>	42 x 120cm